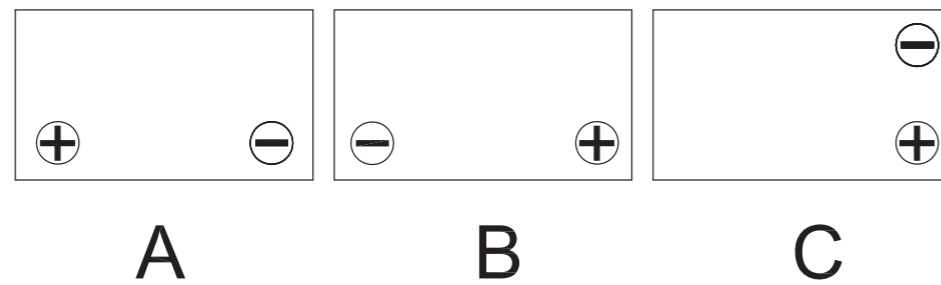
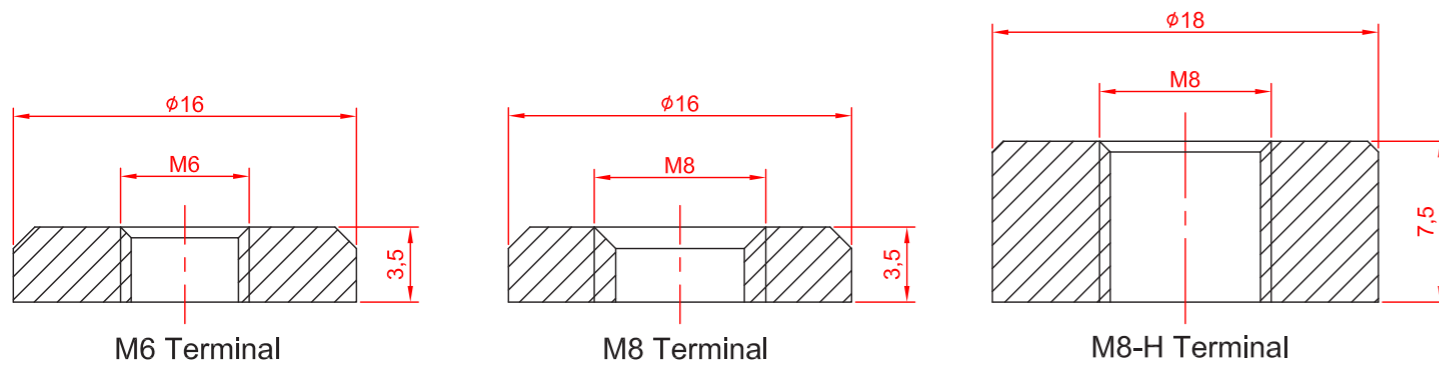


VRLA Sealed Maintenance Free GEL Battery

Long Life Valve Regulated Stationary Battery

BATTERY MODEL	NOMINAL VOLTAGE (V)	RATED CAPACITY 25°C / 77°F(Ah) 10HR 1.80V / CELL	DIMENSIONS								WEIGHT (approx.) (kg/lb)		TERMINAL	EXTERNAL SHAPE
			LENGTH (±1) (mm/inch)	WIDTH (±1) (mm/inch)	HEIGHT (±2) (mm/inch)	TOTAL HEIGHT (±2) (mm/inch)								
VTG1233	12V	33AH	198	7.80	166	6.54	170	6.69	170	6.69	14.00	30.86	M6	B
VTG1250		50AH	276	10.87	174	6.85	170	6.69	198	7.80	21.00	46.30	M8	B
VTG1265		65AH	310	12.20	174	6.85	209	8.23	236	9.29	30.00	66.14	M8	B
VTG1285		85AH	414	16.30	174	6.85	218	8.58	228	8.98	37.00	81.57	M8	A
VTG12100		100AH	513	20.20	163	6.42	218	8.58	228	8.98	44.00	97.00	M8	C
VTG12120		120AH	513	20.20	232	9.13	218	8.58	228	8.98	52.30	115.30	M8	C
VTG12150		150AH	513	20.20	232	9.13	218	8.58	228	8.98	63.80	140.65	M8	C
VTG12200		200AH	513	20.20	297	11.69	218	8.58	228	8.98	82.80	182.54	M8-H	C

VTG is GEL electrolyte VRLA sealed battery which is produced under advanced GEL battery technics. Thanks to the latest GEL technics and thick grid plate,VTG offers 15 years good floating design life and good deep discharge performance 1,800 cycles at D.O.D. 50%. VTG has wide application to use in Telecommunication station, Electric power station, Solar power system, ESS system and UPS & EPS.



BATTERY MODEL	NOMINAL VOLTAGE (V)	RATED CAPACITY 25°C / 77°F(Ah)		DIMENSIONS								WEIGHT (approx.) (kg/lb)		TERMINAL EXTERNAL TYPE SHAPE	
		10HR 1.80V/CELL	1HR 1.60V/CELL	LENGTH (±2) (mm/inch)	WIDTH (±2) (mm/inch)	HEIGHT (±3) (mm/inch)	TOTAL HEIGHT (±3) (mm/inch)								
VT2100	2V	100AH	65	75	2.95	172	6.77	206	8.11	232	9.13	6.20	13.67	SCREW	A
VT2150	2V	150AH	97.5	107	4.21	172	6.77	328	12.91	350	13.78	9.30	20.50		A
VT2200	2V	200AH	130	107	4.21	171	6.73	334	13.15	344	13.54	13.50	29.76	SCREW	A
VT2300	2V	300AH	195	155	6.10	175	6.89	350	13.78	368	14.49	19.50	42.99		B
VT2400	2V	400AH	260	211	8.31	175	6.89	334	13.15	344	13.54	25.50	56.22	SCREW	C
VT2500	2V	500AH	325	243	9.57	174	6.85	334	13.15	344	13.54	31.0	68.34		C
VT2600	2V	600AH	390	302	11.89	177	6.97	334	13.15	344	13.54	37.5	82.67	SCREW	C
VT2800	2V	800AH	520	410	16.14	175	6.89	334	13.15	344	13.54	52.50	115.74		BOLT&NUT
VT2900	2V	900AH	585	475	18.70	175	6.89	328	12.91	341	13.43	59.50	131.17	BOLT&NUT	E
VT21000	2V	1000AH	650	478	18.82	175	6.89	334	13.15	344	13.54	63.50	139.99		E
VT21500	2V	1500AH	975	401	15.79	351	13.82	340	13.39	350	13.78	97	213.85	BOLT&NUT	F
VT22000	2V	2000AH	1300	490	19.29	350	13.78	340	13.39	350	13.78	122.5	270.06		G
VT23000	2V	3000AH	1950	710	27.95	353	13.9	340	13.39	350	13.78	187	412.26	BOLT&NUT	H

